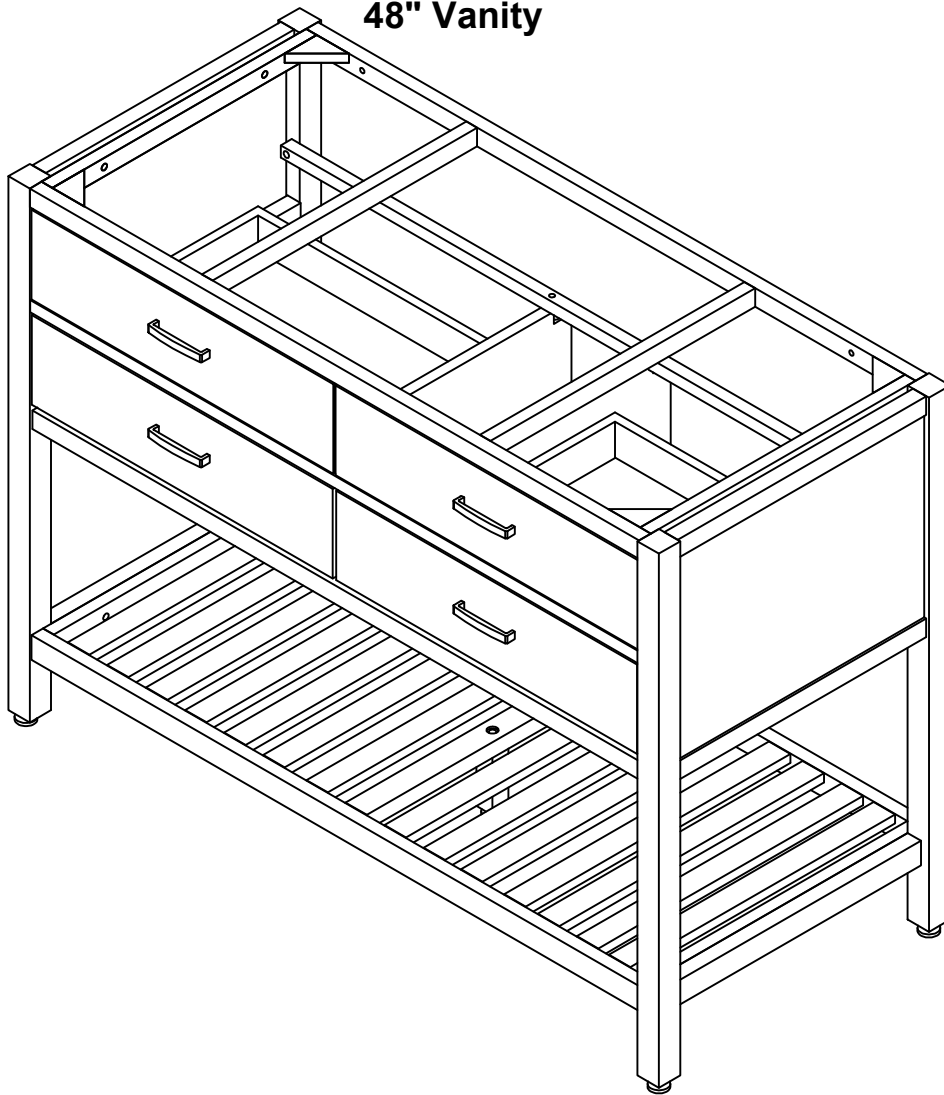


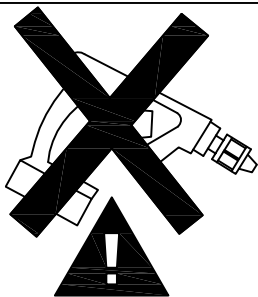
ASSEMBLY INSTRUCTION

48" Vanity

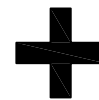
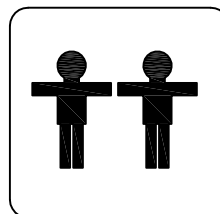


REPLACEMENT PARTS

Please do not contact the company purchased from as we can help you faster.
Order replacement parts and hardware at " www.boltonfurniture.com "

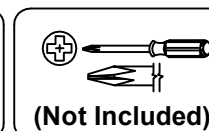
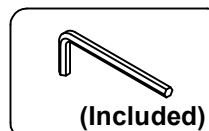


. Use of power tool to assemble this product will invalidate any claim and damage this product making it unsafe !!!
. Please assemble on a clean soft surface to avoid damage.



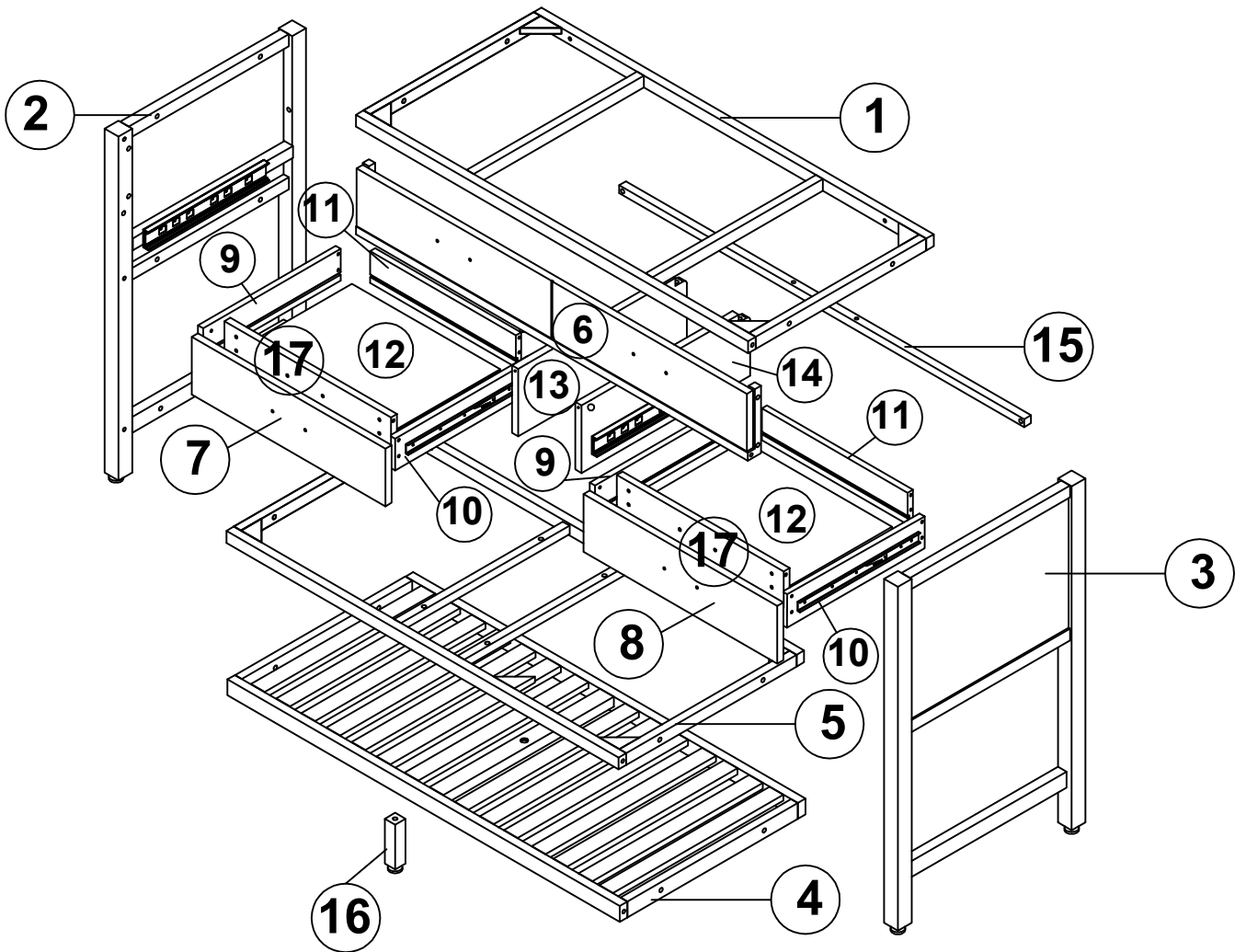
70 minutes

Tools Required




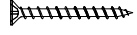



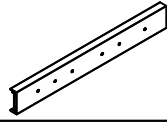
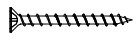


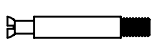



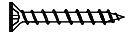


www.boltonfurniture.com

Part list - 48" Vanity

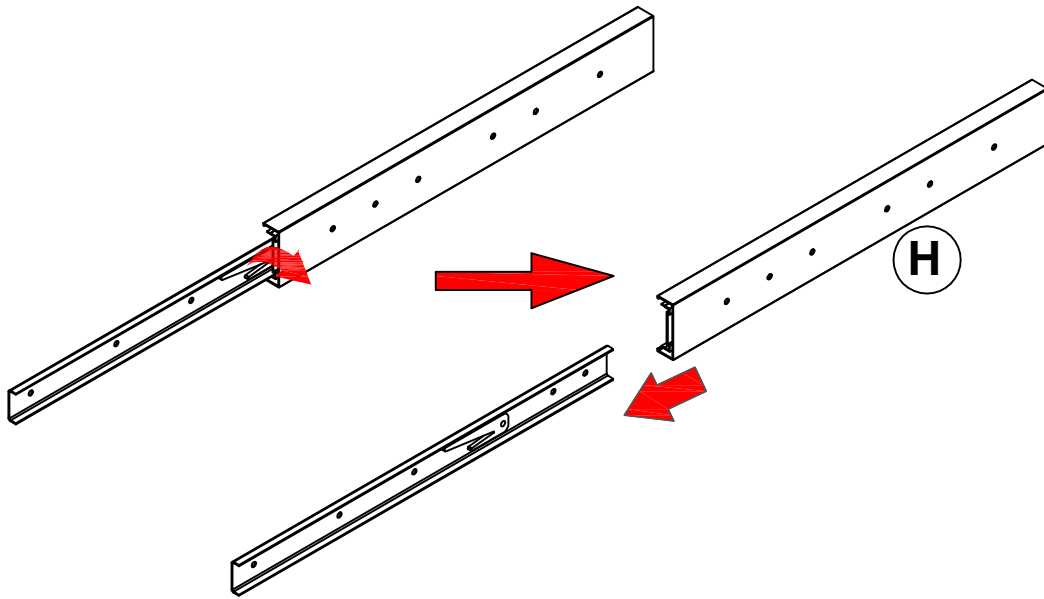


Identifying the hardware-Identify the hardware using the illustrations below

A		12	B		25	C		25
Ø8*30mm Wood Dowel			M6*45mm Bolt			Ø6*16mm Washer		
D		16	E		32	F		04
4*25mm Screw			3.5*15mm Screw					
G		04	H		04	I		02
4*25mm Screw						4*50mm Screw		
K		01	L		16	M		02
			Ø6*20mm Wood Dowel					
N		02	O		05	P		04
						4*15mm Screw		
Q		08						
4*20mm Screw								


Step 01


H  04




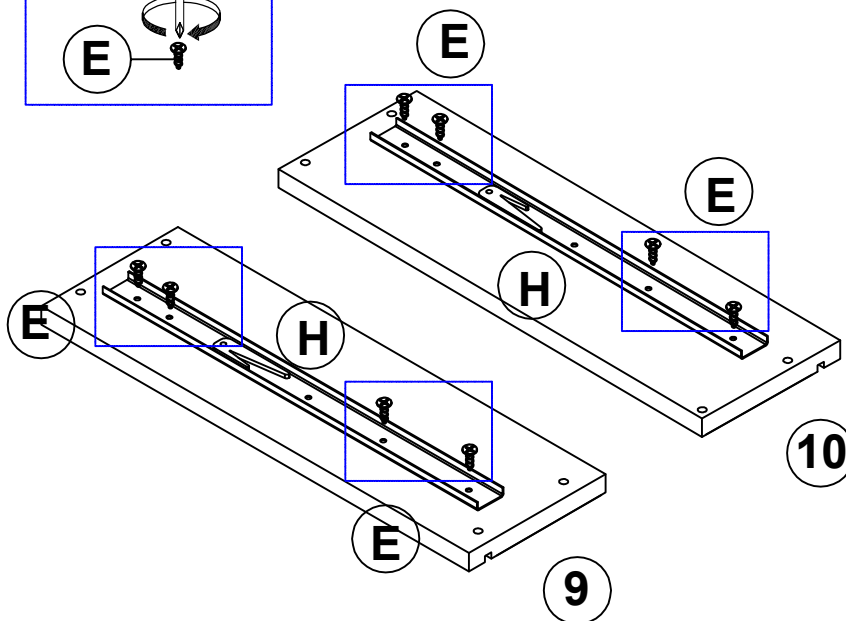
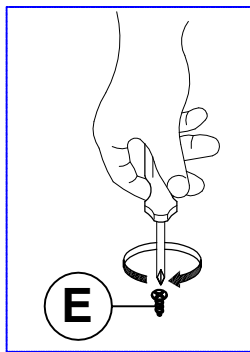
X4

Step 02

E  16
3.5*15mm Screw

H  04

 01

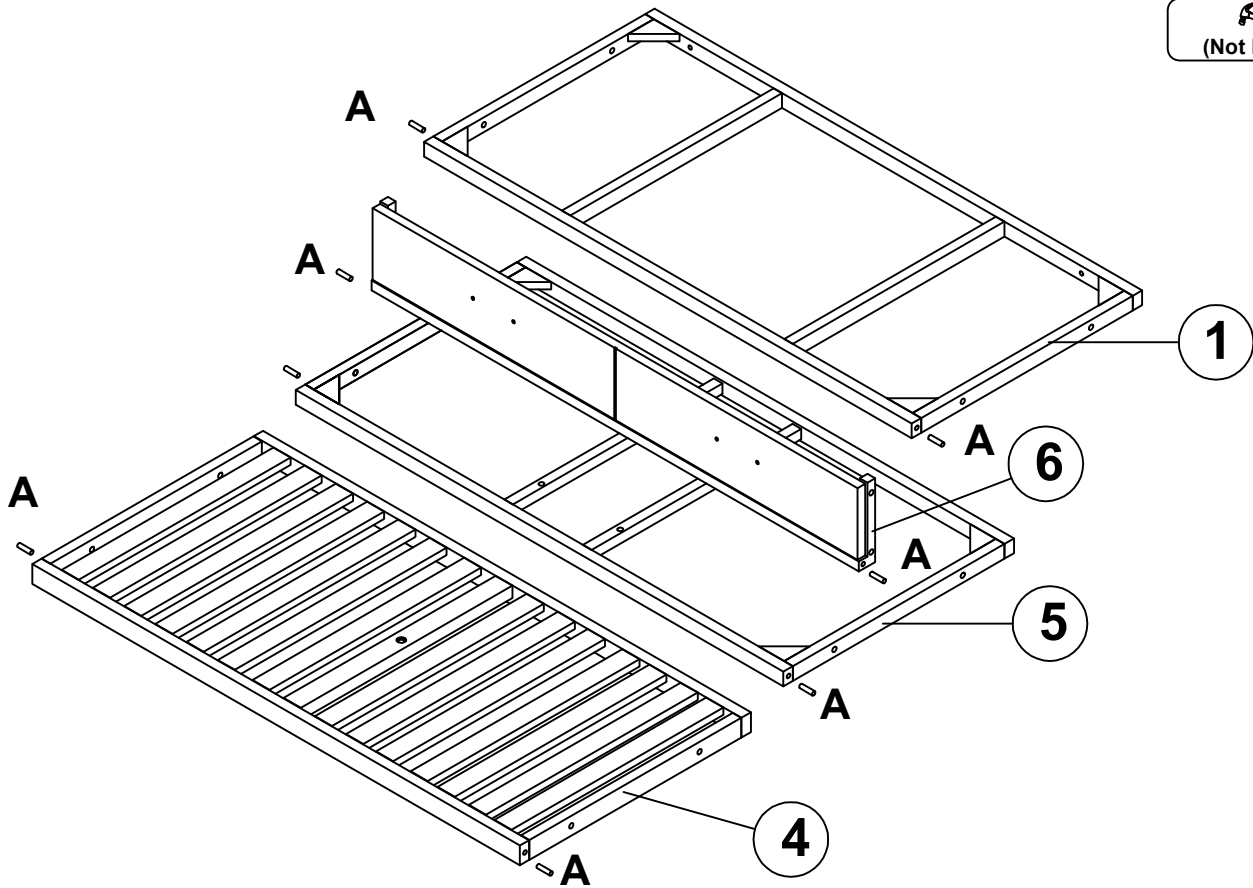


X2

Step 03


A  08
Ø8*30mm Wood Dowel

 01
(Not Included)

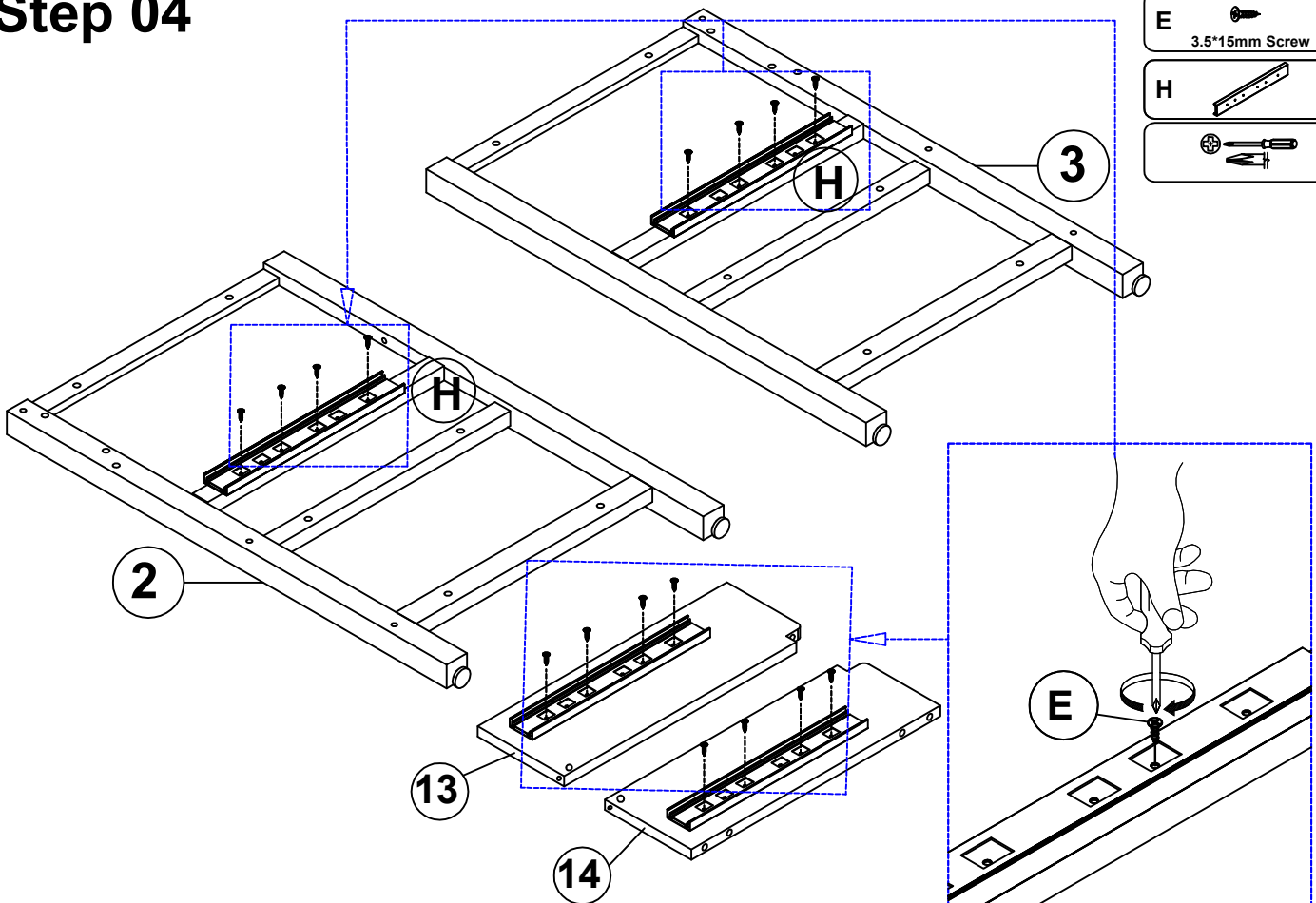


Step 04

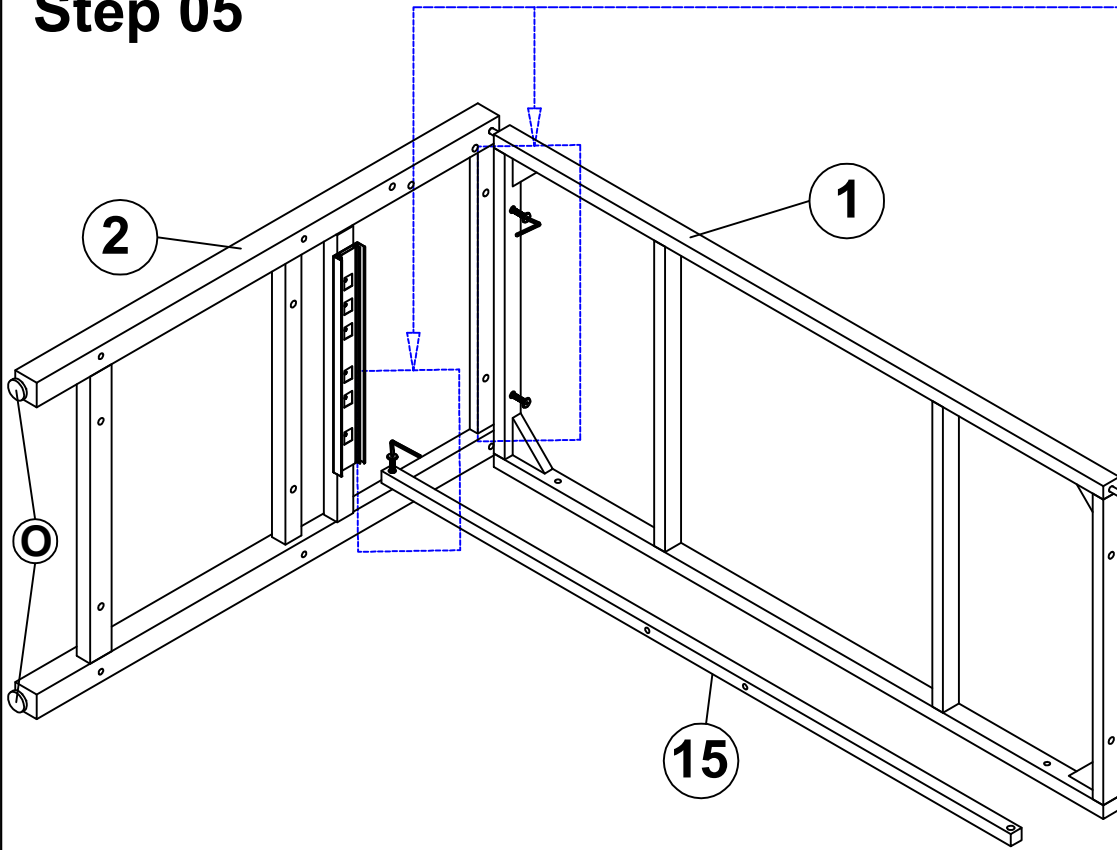
E  16
3.5*15mm Screw




H  04

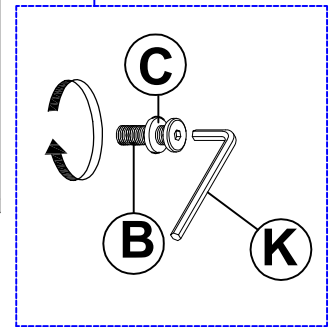
 01



Step 05

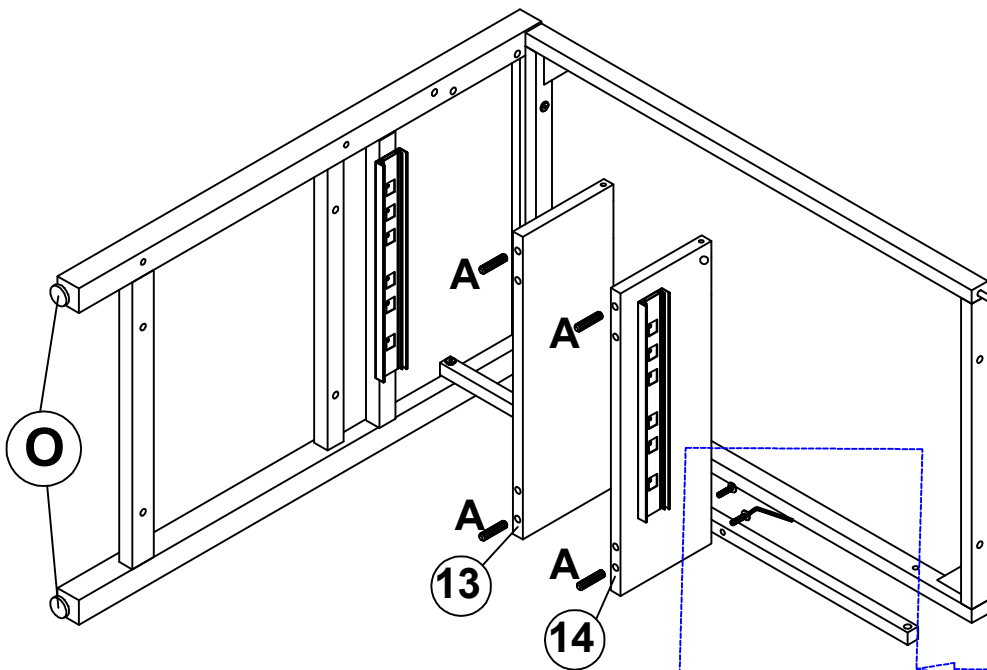






- B**  **03**
M6*45mm Bolt
- C**  **03**
Ø6*16mm Washer
- K**  **01**

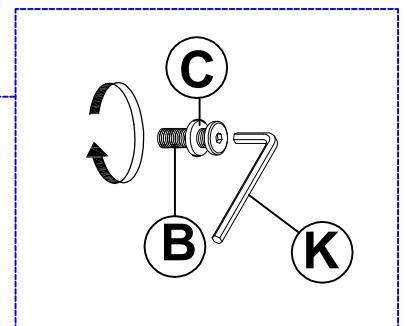


Note: Do not tighten bolts firmly at this time




Step 06

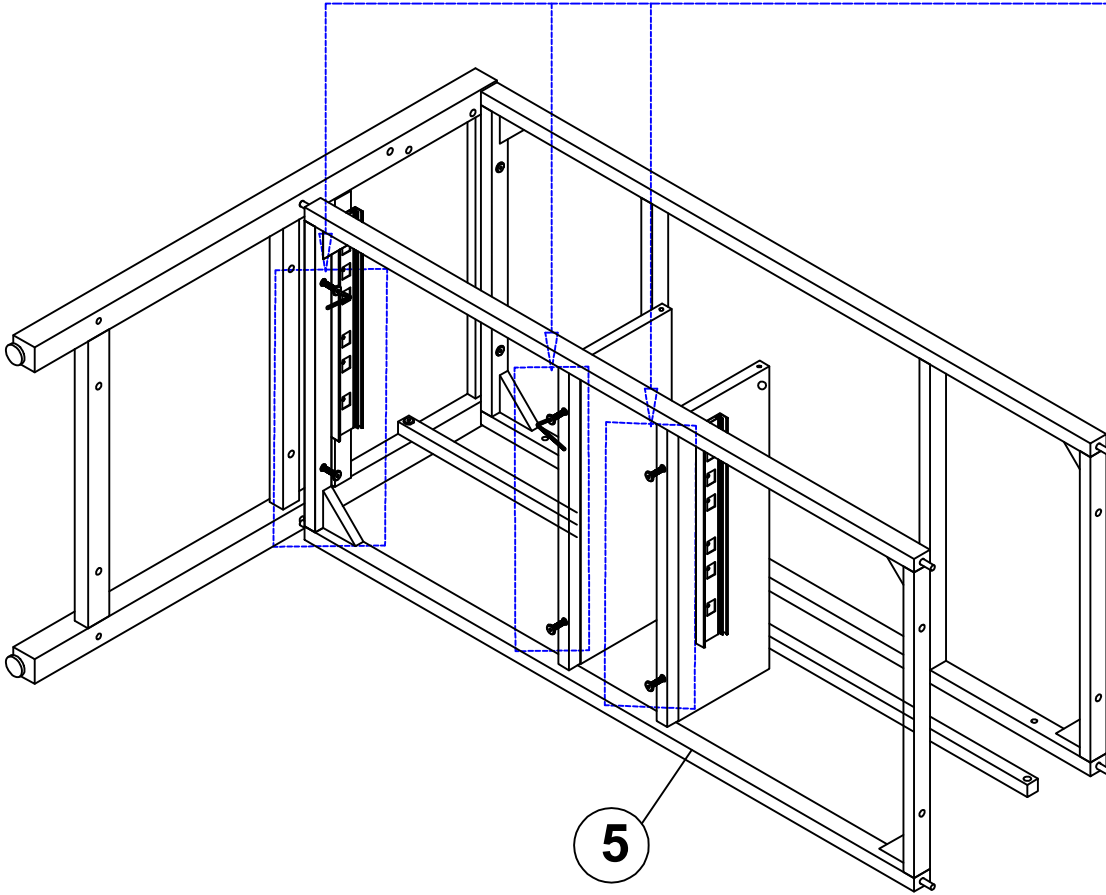


- B**  **02**
M6*45mm Bolt
- C**  **02**
Ø6*16mm Washer
- K**  **01**
- A**  **04**
Ø8*30mm Wood Dowel




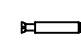


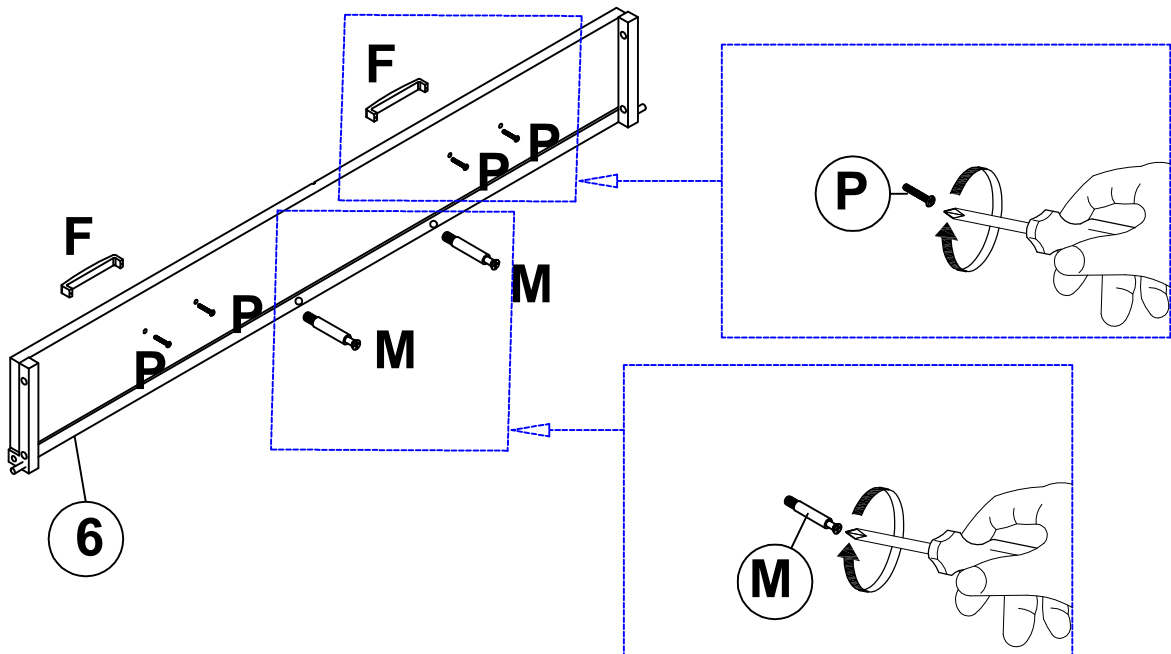
Step 07

- B**  **06**
M6*45mm Bolt
- C**  **06**
Ø6*16mm Washer
- K**  **01**

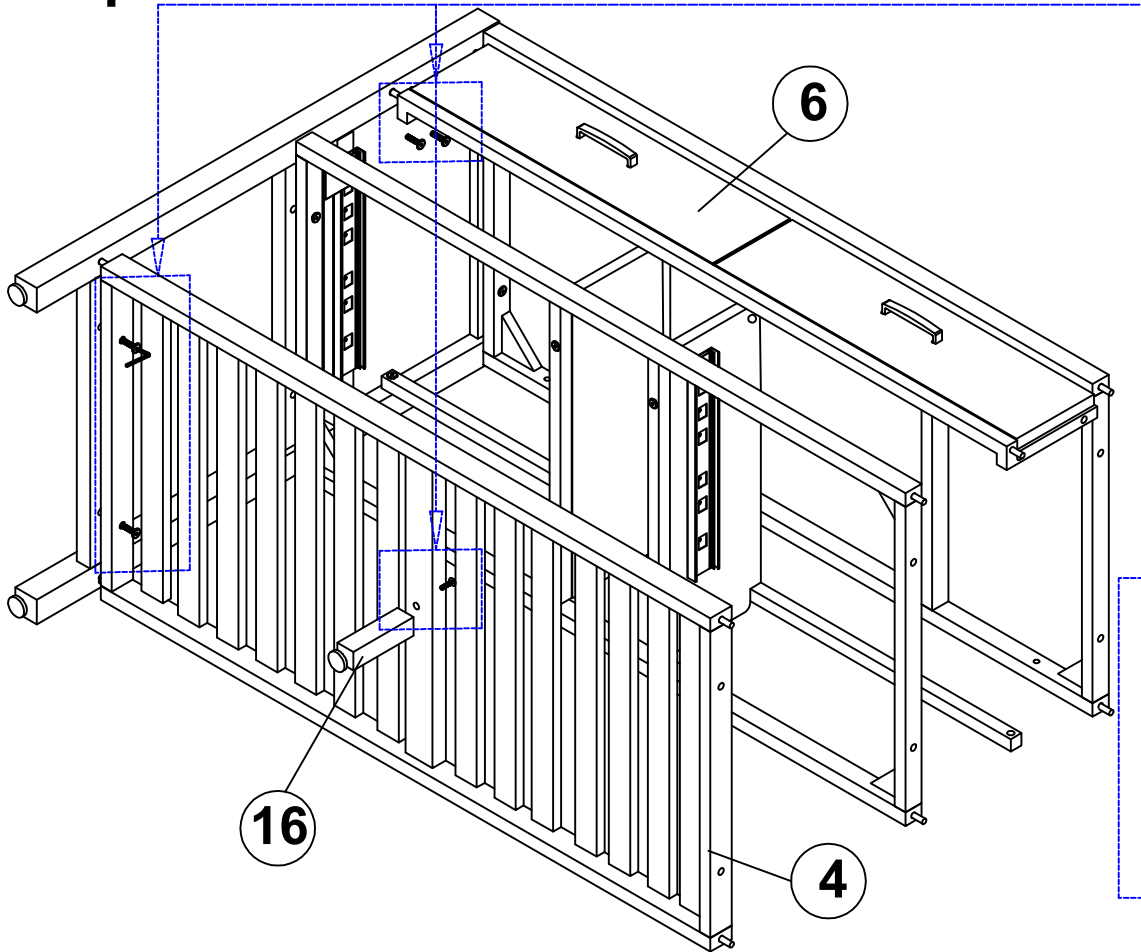


Step 08

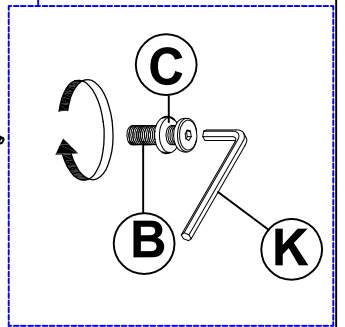
- F**  **02**
- P**  **04**
4*15mm Screw
-  **01**
- M**  **02**



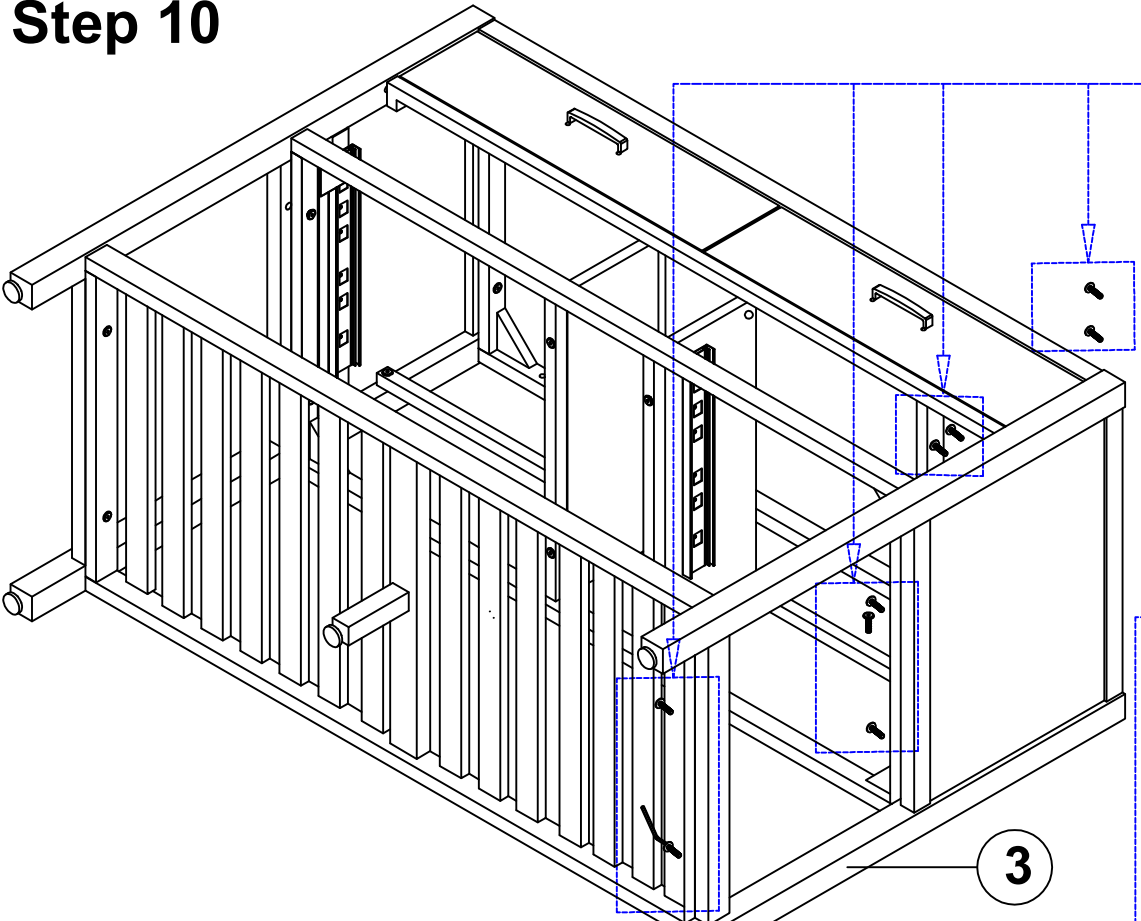
Step 09



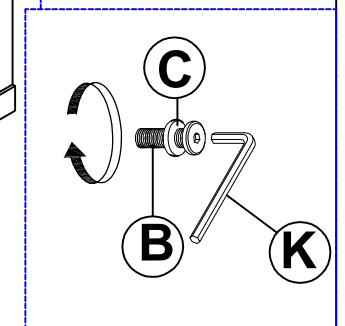
- B 05
M6*45mm Bolt
- C 05
Ø6*16mm Washer
- K 01



Step 10




- B 09
M6*45mm Bolt
- C 09
Ø6*16mm Washer
- K 01

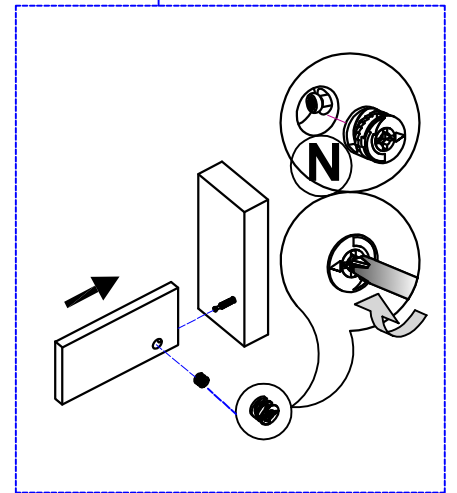
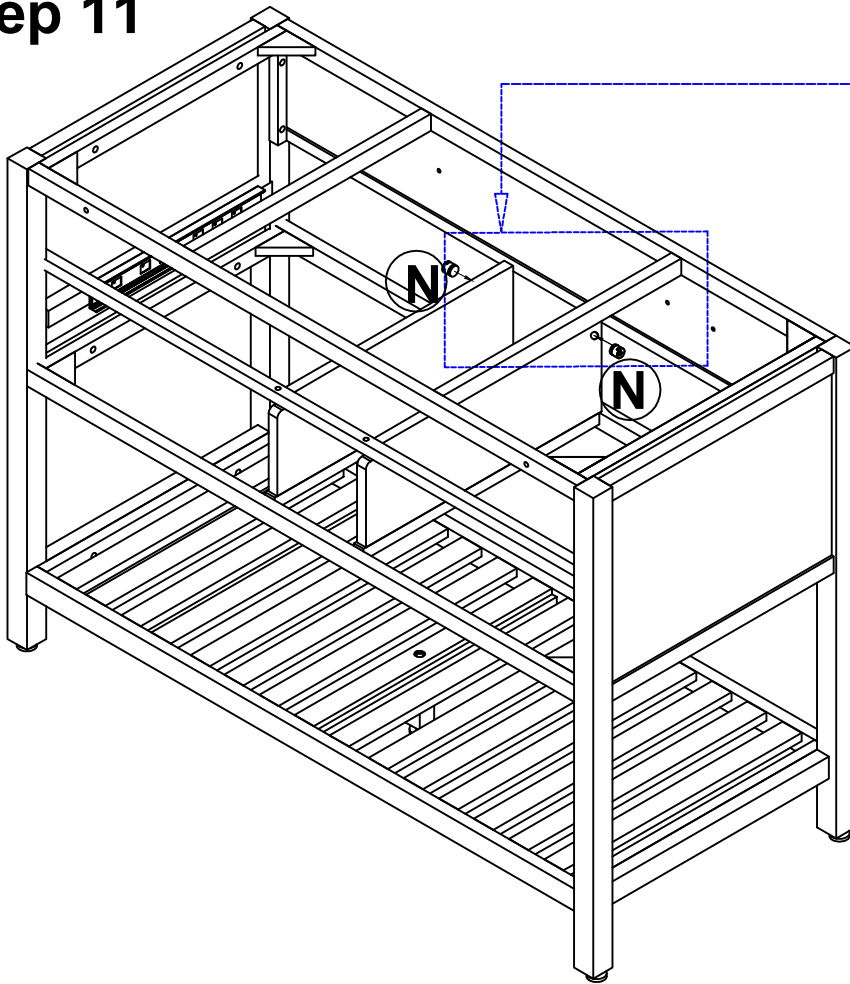


Note: Tighten all bolts at this time

Step 11

N  02

 01

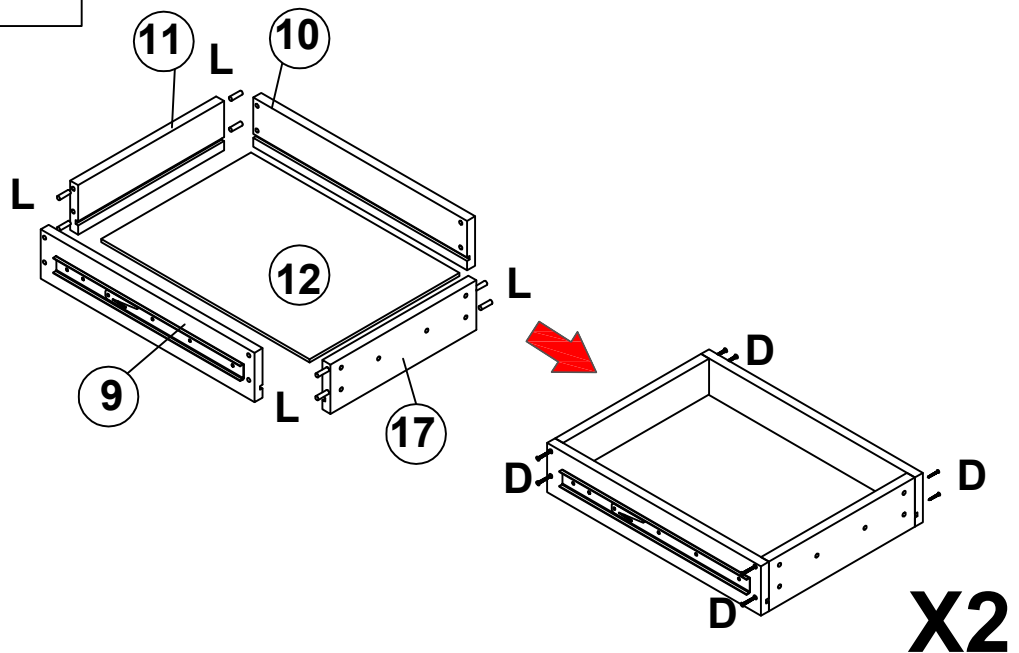
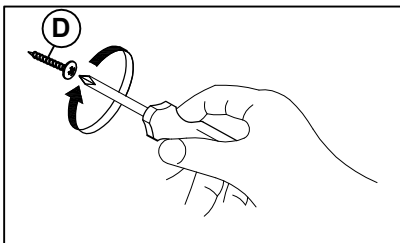


Step 12

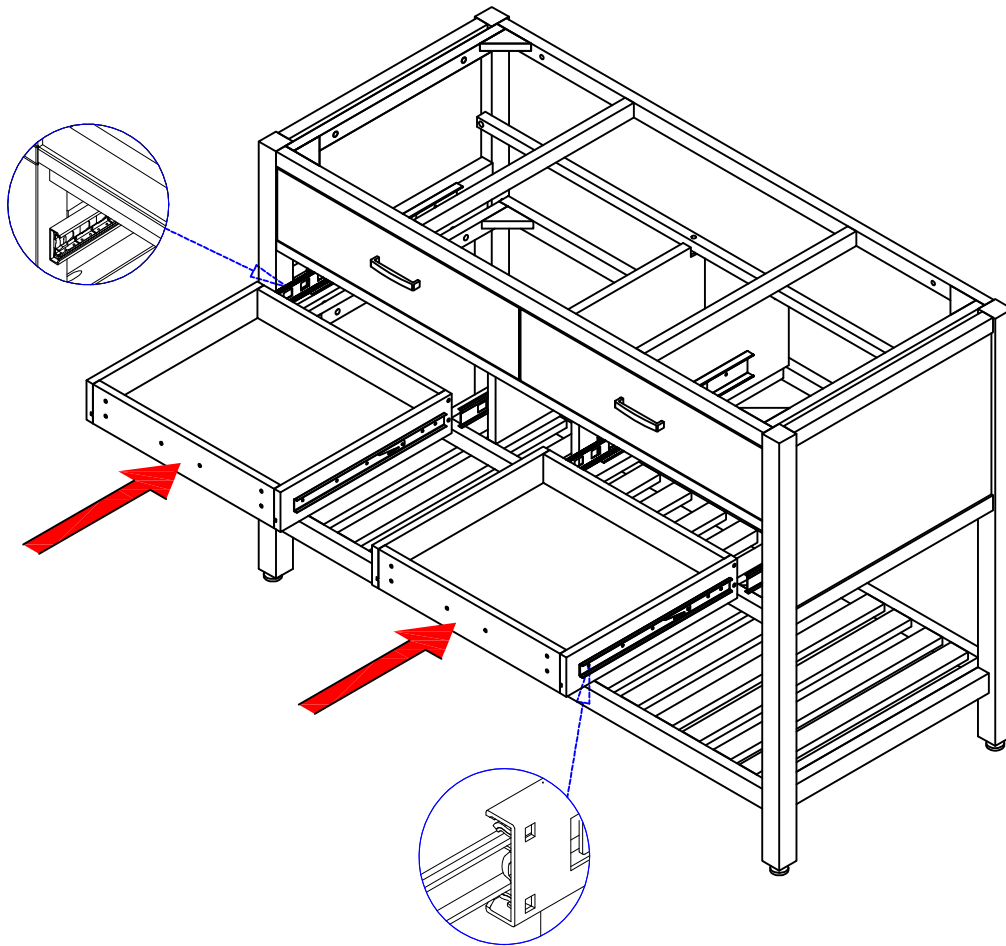
D  16
4*25mm Screw

 01

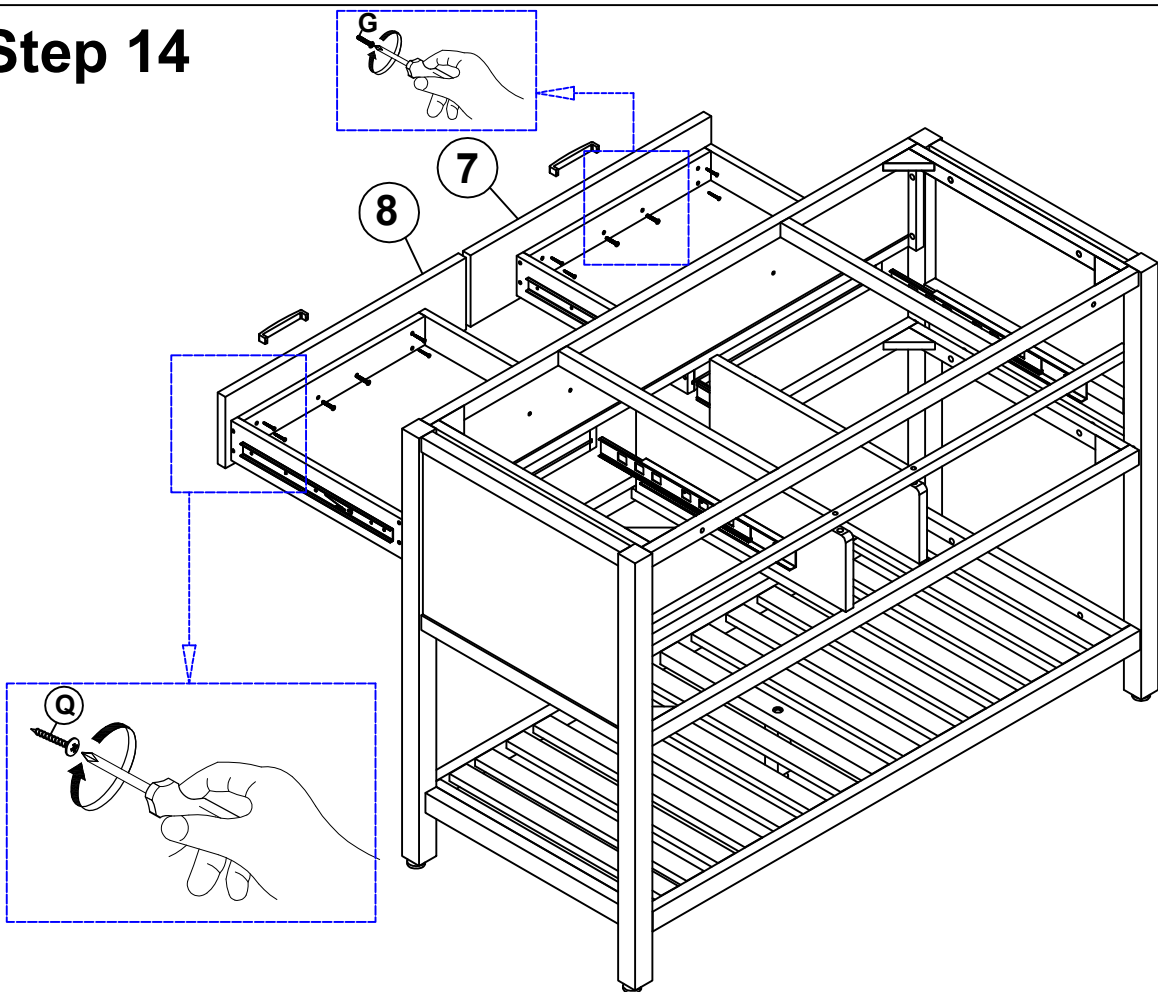
L  16
Ø6*20mm Wood Dowel







Step 13




Step 14



- F  02
- G  04
4*25mm Screw
-  01
- Q  08
4*20mm Screw

Step 15

I  02
4*50mm Screw

 01

- . Mark the location of the Studs in the wall on the stretcher rail.
- . Drill a 1/16" thru hole in the center of the Stretcher Rail at the location of the studs in the wall.
- . Secure the Vanity to the wall using screws (I)
Make sure the screws align with the wall.

